



RF Signal Splitter 4-Way - N Female - 700-3800MHz

SKU: PWPS-4WAY-N

Cavity power splitters are used in a wide verity of applications and can cater to any solution where RF signal needs to be equally distributed to multiple RF paths.

- Splitter/Combiner function
- Supports 3G, 4G & 5G
- 4 x N Female output
- IP65

Electrical Specifications

Frequency	698-3800MHz
Nominal Impedance	50Ω
VSWR	≤1.35
Insertion Loss	≤5.6dB
Isolation	> 20dB
3rd PIM	≤-150dBc@2*43dBm
Max Power	500W

Mechanical Specifications

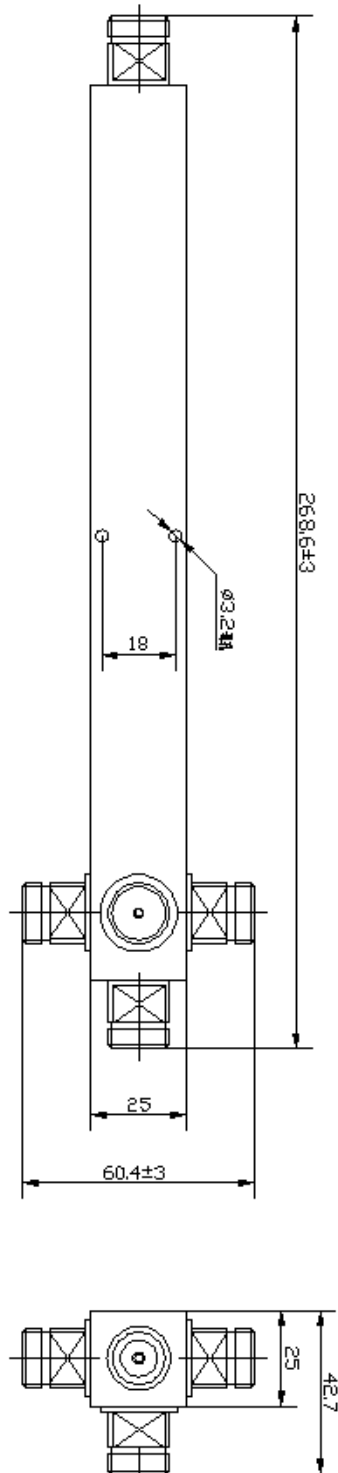
Colour	Black
Connector	4 x N Female
Operating Temperature	-30°C to +60°C
Environmental	IP65
Dimensions	268x60x43mm
Weight	500g
Relative Humidity	5%-95%



TELCO ANTENNAS

REMOTE & HIGH SPEED COMMUNICATIONS

PRODUCT DRAWING



Telco Antennas Pty Ltd

WWW.TELCOANTENNAS.COM.AU

| VHF | UHF | 3G | 4G | 5G | IoT | WiFi | ISM | Microwave | WiFi |
| Remote & High Speed Communications Design & Integration | Electrical & Data Contracting |

sales@telcoantennas.com.au
+ 61 7 3393 9919